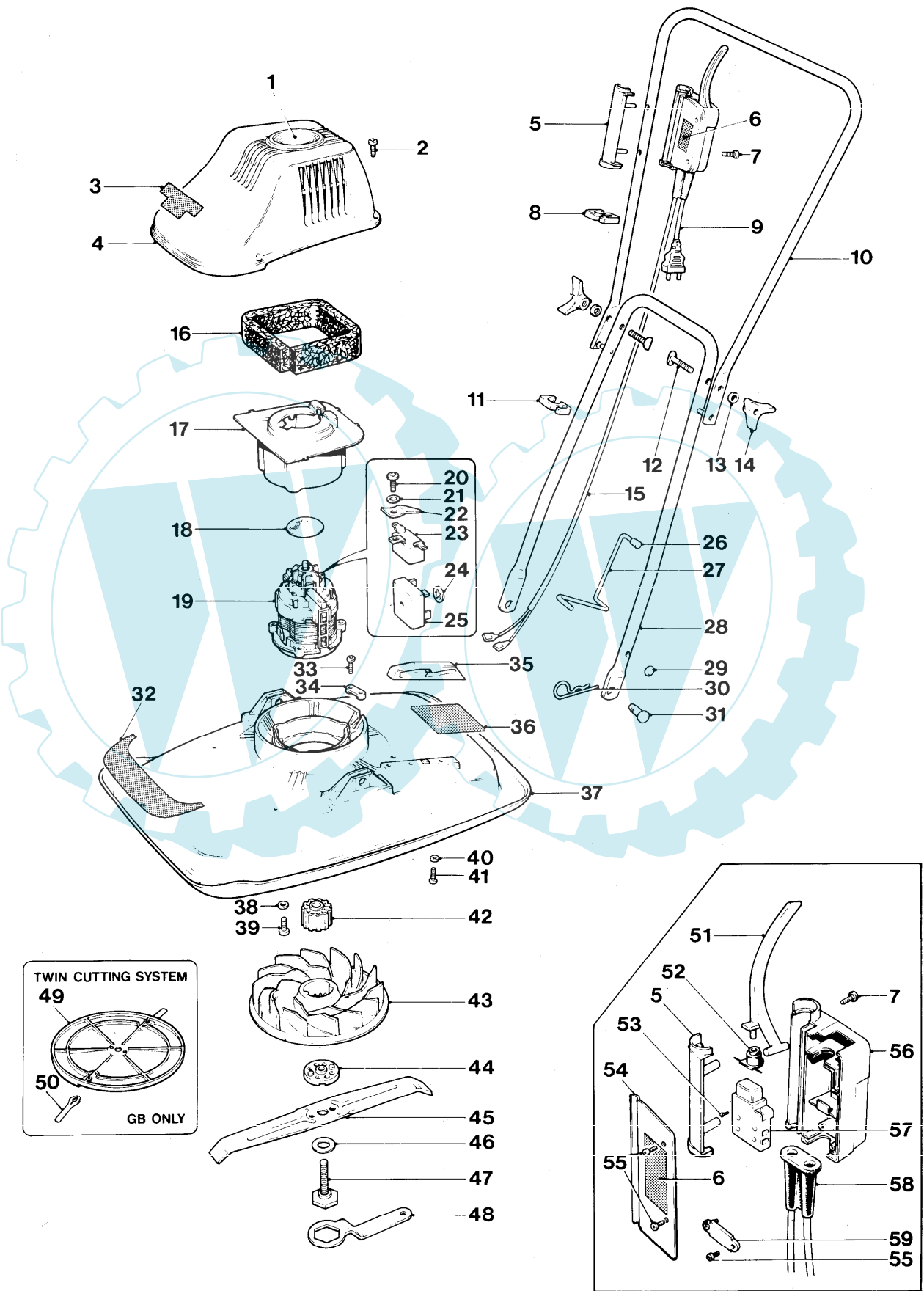




# E38-5 TWIN 9633811 9633812



TWIN CUTTING SYSTEM  
49  
50  
GB ONLY

Flymo

# E38-5 TWIN 9633811

## 9633812

KEY No.	PART No.	DESCRIPTION	QUANTITY	COMMENTS/ APPLICATION	KEY No.	PART No.	DESCRIPTION	QUANTITY	COMMENTS/ APPLICATION
1	5126140-01/0	LENS	1		49	5126735-00/9	DISC ASSY 38cm	1	
2	5146824-00/7	SCREW	4	ALT USE 5147665-00/4	50	5148257-02/4	CUTTER PLASTIC LONG LIFE	2	
3	5137543-00/4	LABEL E38 TWIN	1		51	5136182-01/0	LEVER SWITCH	1	
4	5126375-08/7	COWL ASSY C/W LENS	1		52	5130406-01/9	SEAL CONE	1	
5	5126378-01/6	SWITCHBOX RETAINER 18mm	1		53	5141605-00/5	SCREW	4	
6	5148124-00/0	LABEL CUT OUT/LOCK OFF	1		54	5116495-00/2	SWITCHBOX COVER	1	
7	5146672-00/0	SCREW GKN POLYMATE	2		55	5146672-00/0	SCREW GKN POLYMATE	4	
8	5140482-00/0	CABLE CLIP SMALL	1		56	5116641-03/5	SWITCHBOX BODY 18mm	1	
9	5136621-00/9	LEAD TERMINAL C/W PLUG	1		57	5126503-02/7	SWITCH CUT-OUT/LOCK-OFF BUTTON	1	KOPP 2401.2900.0
10	5126698-00/9	HANDLE UPPER PLASTIC COATED	1		58	5141584-01/0	SLEEVE PROTECTION	1	
11	5140863-01/9	CABLE CLIP LARGE	1		59	5146616-00/7	CLAMP CABLE	1	
12	5140607-00/2	BOLT HANDLE ¼ UNC x 45LG	2						
13	5140266-00/7	WASHER	2						
14	5140690-00/8	KNOB WING	2						
15	5147001-01/9	LEAD INTERNAL	1						
16	5146580-00/5	FILTER	1						
17	5116524-03/3	FILTER SUPPORT	1						
18	5146469-00/1	WARNING DISC	1	ALT USE 5146469-01/9					
19	5126354-01/7	MOTOR 240 VOLT C/W RECTIFIER	1	GB.					
	5126354-02/5	MOTOR 220 VOLT C/W RECTIFIER	1	EIRE					
20	7241293-61/7	SCREW THREAD FORMING	1						
21	7352136-51/4	LOCKWASHER	1						
22	113721-00/5	CLIP	1						
23	113030-01/9	SUPPRESSOR 0.15 MF	1						
24	140785-01/5	CAPTIVE WASHER	1						
25	322814-00/5	RECTIFIER	1						
26	5146476-00/6	KNOB	1						
27	5126100-06/3	HOOK SLOTTED SYSTEM	1						
28	5126696-02/9	HANDLE LOWER	1						
29	5146682-00/9	STARLOCK WASHER	1						
30	5140423-00/4	PIN RETAINING	2						
31	5140092-00/7	PIN LOCKING	2	ALT USE 5140092-01/5					
32	5126598-00/1	LABEL FLYMO	1	ALT USE 5116121-00/4					
33	5146941-00/9	SCREW HI-LO 04.32 x 16LG PAN	2						
34	5140705-00/4	CABLE CLAMP	1						
35	5126210-00/3	GUIDE SLOTTED	1						
36	5146467-00/5	LABEL WARNING ELECTRIC	1						
37	5106174-01/3	HOOD 38cm	1						
38	5140943-00/1	WASHER	3						
39	5146824-00/7	SCREW	3	ALT USE 5147665-00/4					
40	5140266-00/7	WASHER	3						
41	5141585-00/9	SCREW ¼"-20UNC x 19LG	3						
42	5126358-00/0	INSERT IMPELLER	1						
43	5116745-00/0	IMPELLER	1						
44	5136668-01/8	BLADE SPACER PEGGED	3						
45	5116748-00/4	BLADE 38CM	1						
46	5140516-00/5	ANTI FRICTION WASHER (PTFE)	1						
47	5136242-01/2	BLADE BOLT	1						
48	5130127-00/3	SPANNER	1						

## PRODUCT VARIANT

9633811-25 GB

9633812-18 EIRE

Where no application details are shown the part applies to all countries.